

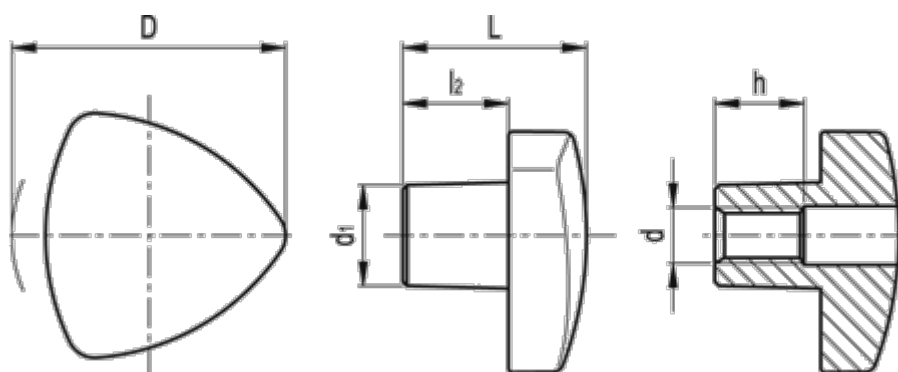
Data Sheet



Article number: 20062470

Description: E+G Lock knob GN 5339.5-60-M12-D-MT
St. steel

Measures



| | |
|------------|-------|
| D | = 60 |
| d | = M12 |
| d1 | = 20 |
| h | = 20 |
| L | = 41 |
| l2 | = 23 |
| Weight (g) | = 230 |